

# Data Sheet

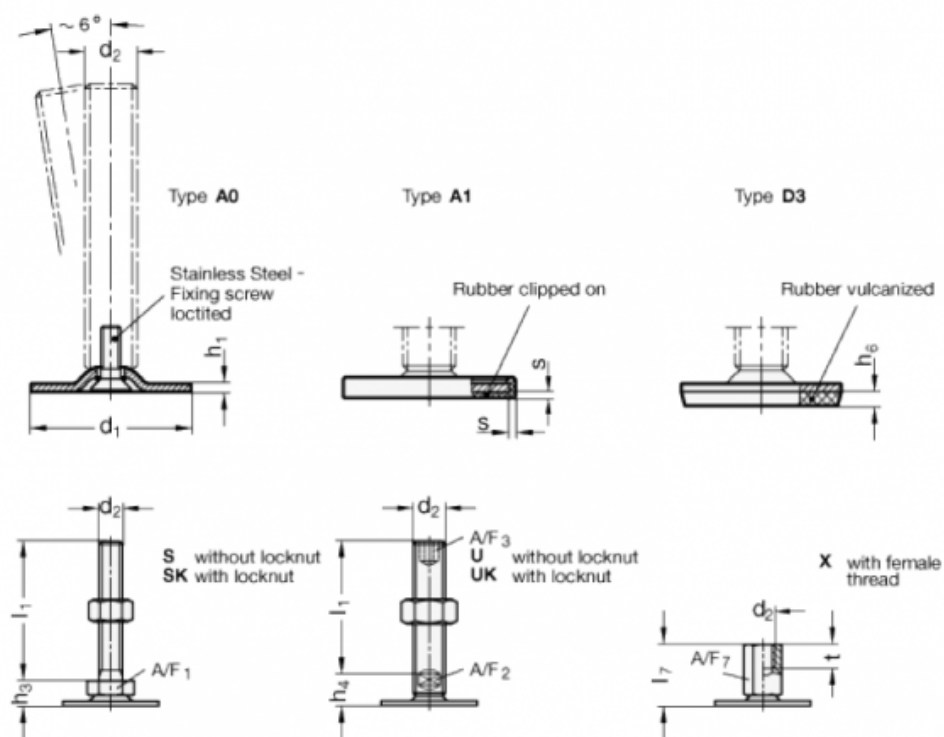


Article number: 204080M12125A3SK

Description: E+G levelling foot  
GN 40-80-M12-125-A3-SK

Note: SK With nut, External hexagon at the bottom

## Measures



A/F1	= 17
d1	= 80
d2	= M12
h1	= 3
h3	= 12
h6	= 5
l1	= 125
s	=